

X-Stone Countertop 30"

Specification & Installation Guide

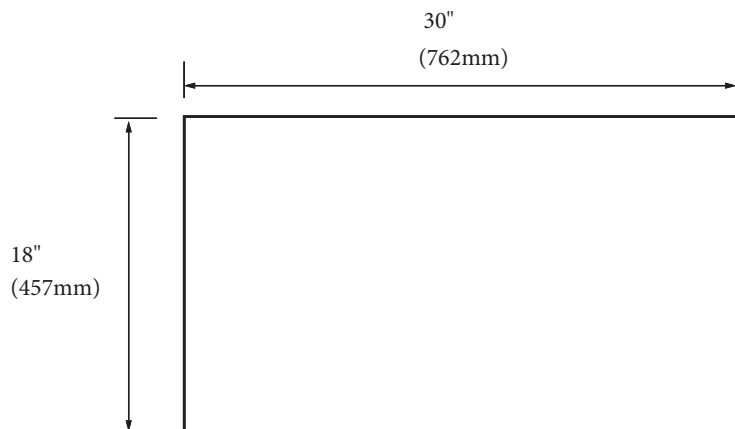
FEATURES

- Design: Countertop for above-counter basin.
- Material: X-Stone Solid Surface
- Dimension: 30" (762mm)L x 18" (457mm)W x 3/4" (20mm)H
- XTA1808-30-000-XX with no pre-cut hole. Requires cutout by on-site installer.
- No Backsplash
- Packaging Dimensions: 33" (838mm) x 21" (534mm) x 3-3/4" (95mm)
- Gross Weight: 30 lbs (13.64 kg)

FINISHES

- Glossy White (GW) -- One side
- Matte White (MW) -- Other side

XTA1808-30-000-XX



For clarification, please contact Madeli Customer Care at (800)-819-6988 or (305)-718-8817 Ext. 1

All dimensions are approximate and subject to standard tolerance. Specifications subject to change without prior notice.